



ERTELALSOP

THE FIRST NAME IN LIQUID FILTRATION

APPLICATION OPTIMIZATION KIT

The Application Optimization Kit (AOK Kit) is the simple solution for all your 50P Laboratory Filter needs. The ErtelAlsop Model 50P Laboratory Filter is constructed of polycarbonate for filterability and scale up studies. It is available with capacities for polish or cake filtration up to 30 PSIG. The Model 50P provides 50 cm² of filtration area and 270 ml of volume.

The AOK kit is lightweight and perfect for transporting. The cylinder comes in 25 mm, for polish filtration, and 50 mm to allow for different cake heights. It is ideally suited for use with a peristaltic pump and liquids that require the use of filter aid, such as D.E.



STANDARD FEATURES

- Pressure Gauge
- O-Ring Cylinder/Media Gaskets
- Leurloc Inlet/Outlet Connections
- 25 mm Deep Cylinder
- 50 mm Deep Cylinder
- 3 Stainless Steel Tie Rods
- Stainless Steel Media Support Screen
- 3 Stainless Steel Legs
- Complete Portability
- Durable plastic storage case
- 4 select grades of ErtelAlsop media (20 pieces/grade)

APPLICATIONS

- Research & Development
- Quality Assurance
- Laboratory Testing

PRODUCT TESTING

Product testing is always available either at your facility, through our network of distributors, or at our in-house laboratory.

PILOT TESTING - RENTALS

For in-plant testing and scale-up procedures, ErtelAlsop offers a variety of lab filters for rent. A portion of rental fees can be applied to the purchase of your full production filter.

ErtelAlsop offers a full line of Cylinder Type Laboratory Filters with capacities up to 8000 ml.

FILTER MEDIA

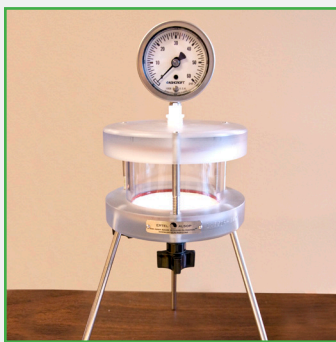
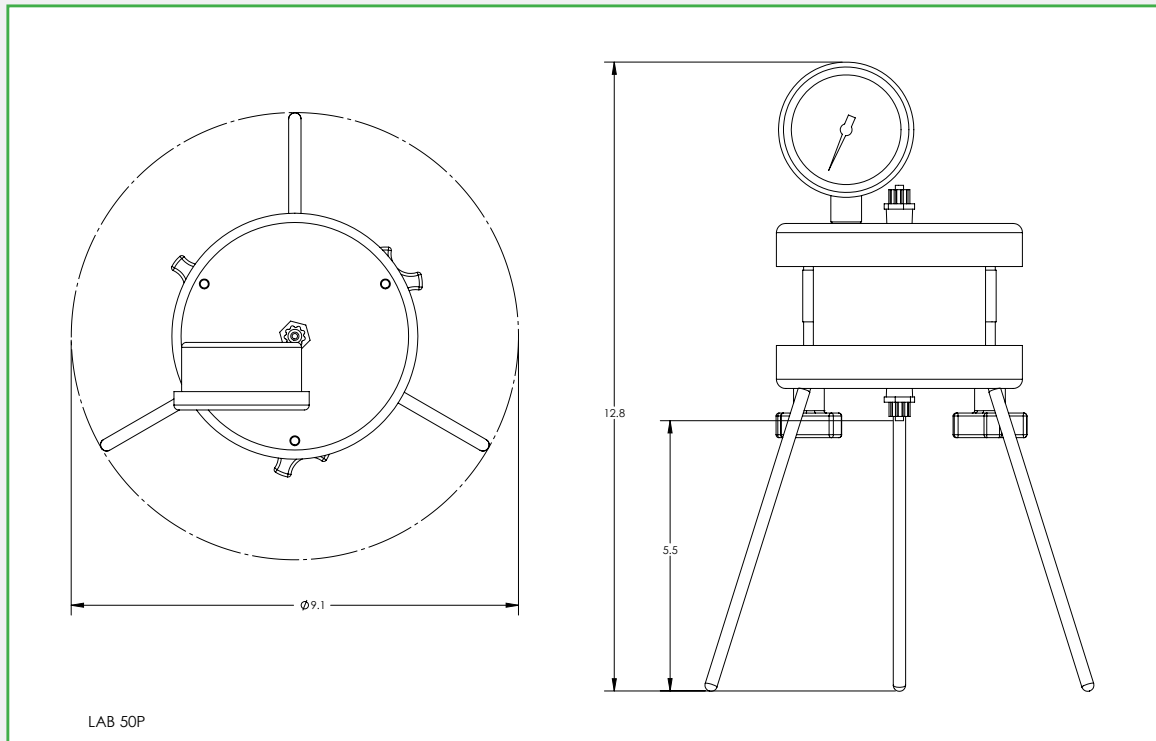
As with all ErtelAlsop plate and frame filter press models, media is available for any application and/or operating condition, and is chosen based on your specific operating conditions, the performance required by the filtering media, and criteria given to us by you and/or by sample processing we do in our lab.

ErtelAlsop offers the widest varieties of filter media including 100% cellulose pads, cellulose and diatomaceous earth pads, cellulose and Celpure® diatomaceous earth pads, cellulose and perlite pads, and cellulose and activated carbon pads.

All filter pads are manufactured to very high standards for a wide range of applications in the pharmaceutical, chemical, cosmetic, electric utility and food and beverage markets. ErtelAlsop also offers a Validation Guide to assist in the validation of its filter pads in your process. The Validation Guide contains information regarding raw materials, extractables, and general information about the product. The combination of ErtelAlsop "P" grade filter pads and ErtelAlsop's BioClean™ plate and frame filter press design, can help to simplify your depth filtration validation now more than ever.

50P SPECIFICATIONS

Material	Polycarbonate	
Gasket Material	Silicone	
Pressure Limit	30 PSI	
Jacket Pressure	N/A	
Media Type	Any Flat	
Media Diameter	3.46 in	(88 mm)
Filter Area	7.75 in ²	(50 cm ²)
Volume	16 in ³	(270 ml)
Gauge	Standard	



For additional
product information visit
ErtelAlsop.com

Technical Bulletin AOK-LF-11

ErtelAlsop
PO Box 3358
Kingston, NY 12402 US

ErtelAlsop.com
800.553.7835 Telephone
845.339.1063 Fax

Keep in touch.
Join our Newsletter to learn
about the latest filter best
practices and more!

Visit us at ErtelAlsop.com

Your Local Distributor

